

D

C

B

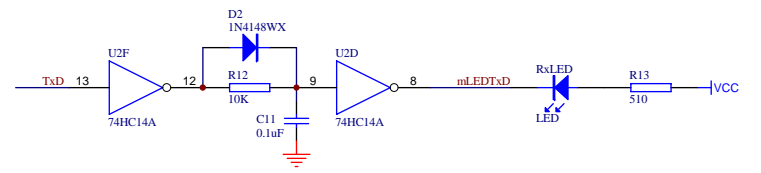
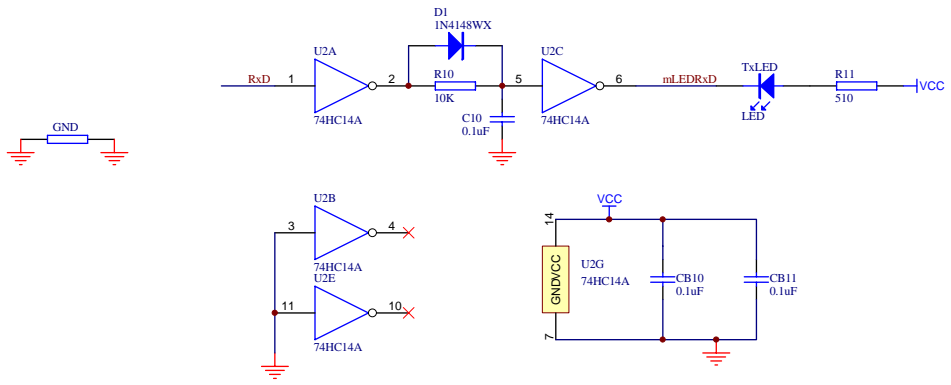
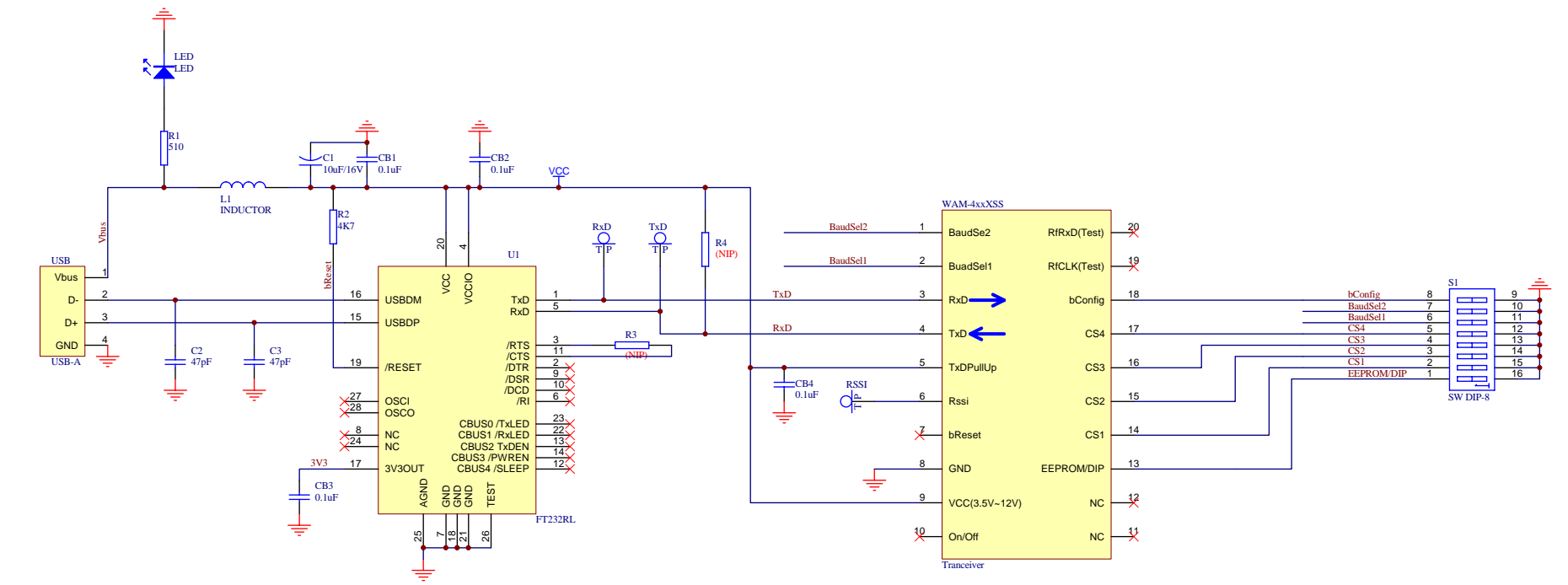
A

D

C

B

A



| | | | |
|---|-------------|-------------|-------------|
| Title | | Drawing ID | |
| TestKit | | | |
| Size | Designed by | Approved by | Sheet |
| A3 | NH Sung | | 1 of 1 |
| File : TestKit(USB)1ype2.pcbRev. Ver 1.0(beta) Date | | | 20-Apr-2013 |
| © | | | |

Error : LOGO1.wmf file not found.